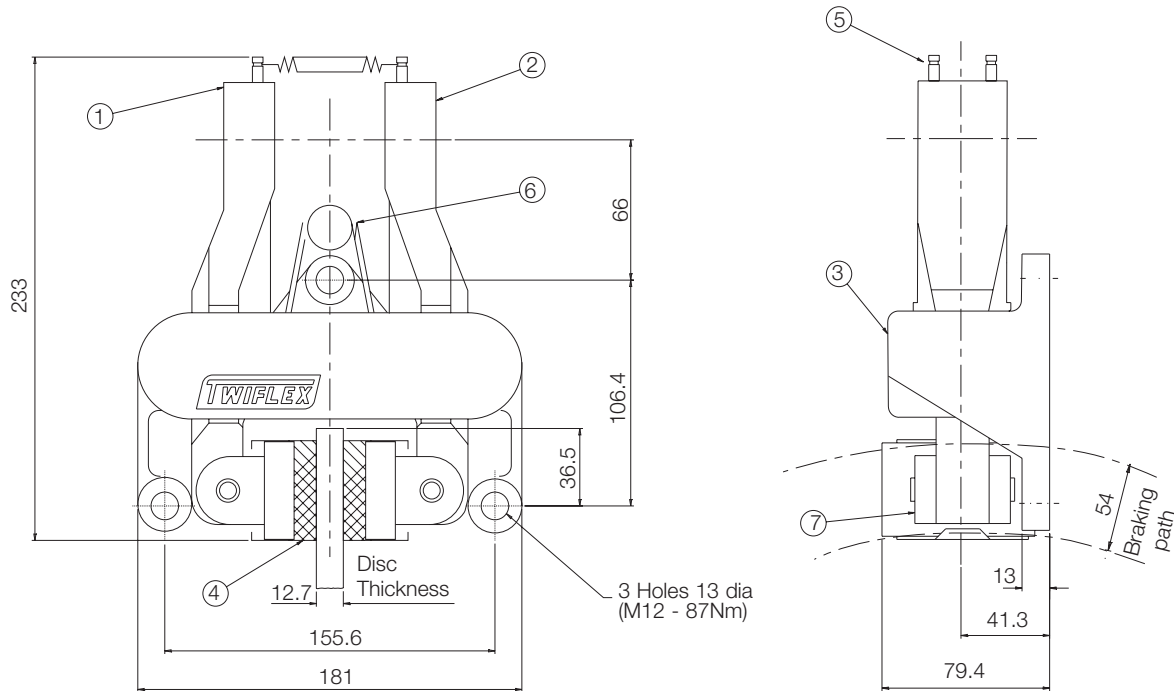


**MR Disc Brake Caliper**

**DISC BRAKE CALIPER PART NUMBER 6780413**

Weight of Caliper	6.5kg
Total pad area	58cm <sup>2</sup> (2 pads)
Pad dimensions new	63.5 x 46 x 12.7mm thick
Pad wear allowance	8mm
Pad material	Asbestos-free organic lining as standard

The standard MR series brake caliper is supplied as a left-hand assembly. Right-hand assembly (6780413/AH09, as shown above) can be supplied on request or may easily be changed on site. Please refer to publication P1163 regarding Twiflex handing convention. A marine version is available.

AVAILABLE SPARES			
Item	Component	Part No.	QTY
1	Arm Assembly - Thruster side	6600112	1
2	Arm Assembly - Opposite side	6600113	1
3	Caliper Base	8030010	1
4	Pad Assembly (1 pad)	0780123-Z	2
5	Tension Spring	2400035	2
6	Torsion Spring	2500020	1
7	Pad Spring	7900024	2
	Spring Kit (items 5 and 6)	7902811	1

Twiflex Disc Brakes must be used with Twiflex asbestos free brake pads.  
 The use of any other brake pads will invalidate the warranty.  
 Twiflex reserves the right to modify or change the design without prior notice.

# MR Disc Brake Caliper

## General Description

The MR disc brake calipers should be used with a brake disc of 12.7mm thick. They may be used with any of the series of actuators listed below. Normally one or two units will be used per disc but the number may be increased, depending on disc size and brake torque required.

Thruster	Description	Data Sheet	Maximum Braking Force - kN
A	Pneumatically applied - Spring released	2001	6.9
B	Pneumatically applied - Spring released	2002	10.8
D	Pneumatically applied - Spring released	2003	3.6
E	Pneumatically applied - Spring released	2004	0.74
G	Pneumatically applied - Spring released	2005	1.9
H	Mechanically applied - Lever operated	2006	8.4
K	Spring applied - Pneumatically released	2007	2.2, 4.3 and 6.4
L	Spring applied - Hydraulically released	2008	2.2, 4.3 and 6.4
W	Mechanically applied - Hand operated	2009	2.68

## Mounting:

MR brake calipers can be mounted at any angle around the periphery of the disc, but ideally they should be horizontal in the 3 and 9 o'clock position on the disc to prevent bias due to the weight of the thruster. Inclined mounting kits are available.

## Discs:

A range of standard discs of 12.7mm thick are available from Twiflex see Data Sheet DB5002. Minimum Disc Diameter for the MR caliper is 250mm

## Controllers:

Standard Twiflex Controllers are available for single or multi-caliper installations for use with electric, pneumatic and hydraulic signalling systems.

## Pad replacement:

To replace the pads, secure the installation to ensure safety. Ease out the pad springs and remove worn pads. Clean the disc and pad mounts with a suitable cleaning agent such as white spirit. Fit new pads. Replace pad springs.

For bedding-in and conditioning procedures see publication M1060

Health and Safety data sheet refer to DS0500