

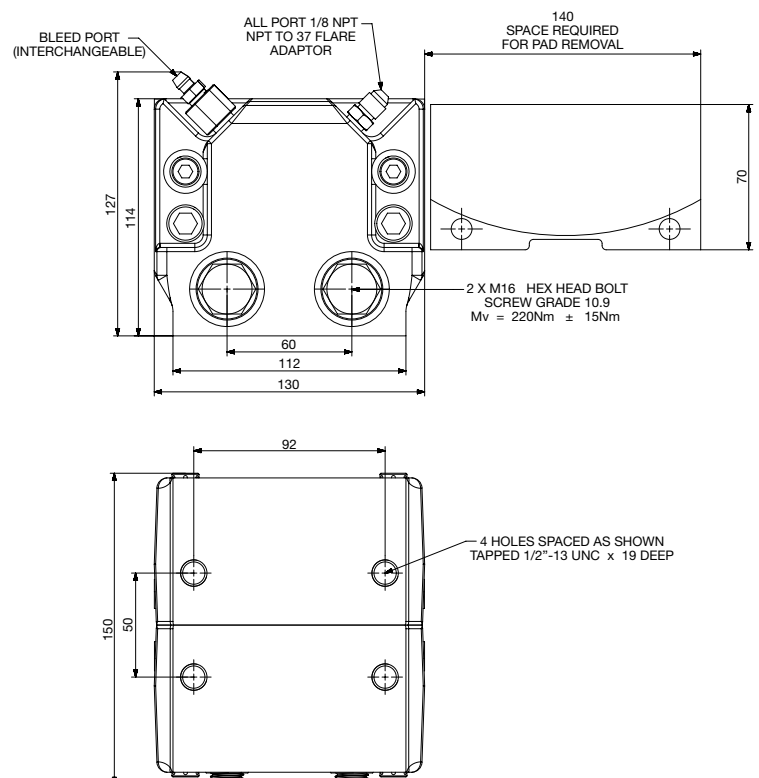
T35 Top Drive Caliper Brake

For Oil and Gas Applications

Twiflex T35 Caliper Brake

The Twiflex T35 modular caliper brake is a hydraulic pressure-applied unit designed specifically for top drive applications. It features a split housing with a rear-mounting capability to provide a direct interchange with common brake platforms.

- Up to 165 bar (2393 psi) operating pressure produces a maximum 26 kN (5845 lb) nominal braking force
- Compact, robust housing design is fully plated for optimum protection
- Mounting and port interface aligned with common caliper designs
- Hardware cross-drilled as standard for wire-locking
- Minimum disc diameter 260 mm (10.2 in)
- Standard disc thickness 12.7 mm (0.5 in)
- Pad retraction springs ensure running clearance in the 'brake off' state
- Design operating range between -20°C and +70°C (-4°F and 158°F)



www.twiflex.com

9 Briar Road, Twickenham
Middlesex TW2 6RB - England
+44 (0) 20 8894 1161